

/ Perfect Welding / Solar Energy / Perfect Charging



# SADDLE WELDER FTW 24-120 PRO

- / MIG-MAG
- / Saddle welding for tube to tube connections
- / Tube inside diameter 24 - 120 mm (0.9 - 4.7 in)



/ Where quality, time savings and reproducibility are in the foreground, the FTW 24-120 PRO saddle welder shows his strengths clearly. For example in power plant construction, where precise welding of stable tube joints on collector pipes is required.

Innovations like the pneumatic clamping system or the hanging device simplify the operators work considerably and additionally they decrease the time effort. Perfect welding results are guaranteed by the optimal combination of customized contour discs, robust support rings, a precise internal clamping system and a concisely adjustable torch adjustment.

- / COMPACT AND ERGONOMIC DESIGN**
- / HIGHEST QUALITY**
- / INCREASED PRODUCTIVITY**
- / HIGHER REPRODUCIBILITY**
- / TIME SAVINGS DUE TO FAST AND EASY POSITIONING**
- / EASY OPERATION**

*/ Watch the video on  
our YouTube channel.*



# WELDING HEAD FTW 24-120 PRO

## FEATURES

- / Pneumatic clamping system
- / Different mandrels and clamping jaws for different tube inside diameters
- / Adjusting units for precise torch positioning
- / Special water cooled torch with multilock system
- / Hanging device (optional)
- / Comfortable handle for quick-starting of welding programs
- / Support rings
- / Customized contour disc (optional)

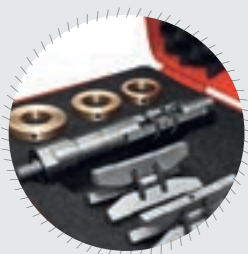
### CLAMPING / POSITIONING

*/ The pneumatic clamping process is simply activated by a slide switch.*



### MULTILOCK TORCH

*/ Special water-cooled torch with multilock for rapid changing/adjusting of torch elbow (angle available in 20°/30°).*

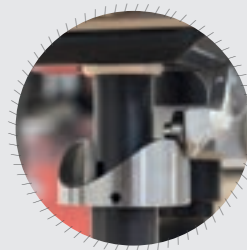
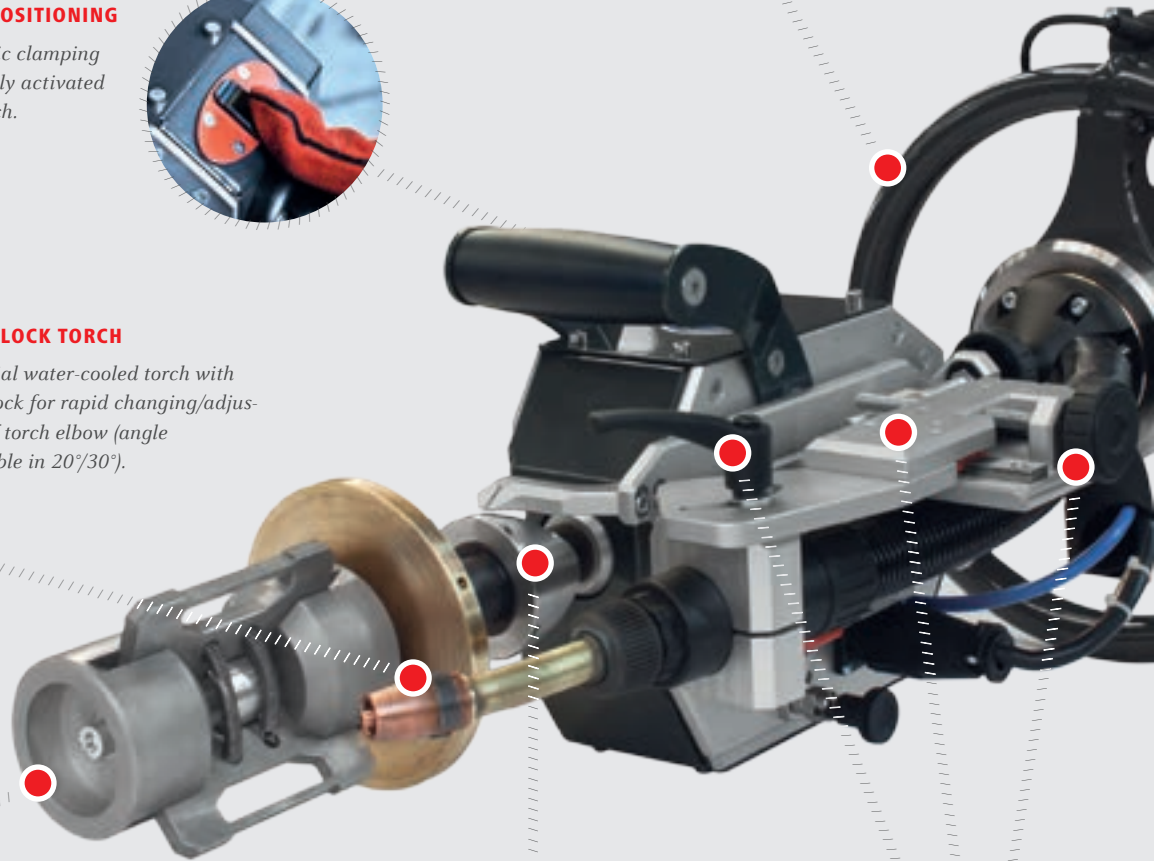


### CLAMPING SYSTEM

*/ Different mandrels / clamping jaws / support rings with comfortable carrying case. Clamping via pneumatic.*

### I-KIT HANGING DEVICE (OPTIONAL)

*/ For vertical welding position.  
/ Port for balancer weight relief especially for welding position PB, mandrel in a vertical position.  
/ Handle with start button can be integrated.*



### I-KIT SADDLE CURVE

*/ Including port for contour disc.  
/ Customized contour disc.*



### I-KIT TORCH ADJUSTMENT

*/ Manual torch adjustment  
H = 80 mm (3.15 in) / S = 60 mm (2.36 in), torch holder Ø = 44.2 mm (1.74 in).  
/ For torch body Multilock ML AW332 20° bzw 30°.  
/ Factory installation.*

# CONTROL UNIT FCU/FTW WITH REMOTE CONTROL FRC-40/FTW

## FEATURES

- / Robust housing
- / Graphical user interface
- / Touch-display
- / Multifunctional wheel
- / Changeable protective sheets
- / Parameters program- and storable
- / Different languages
- / Job-switching (optional)



### HANDLE

/ Ergonomic handle for quick-starting of welding programs. Removable for using without hanging device.



### TOUCH-DISPLAY

/ Comfortable operation via touch-display.



### MULTIFUNCTIONAL WHEEL

/ Multifunction wheel for selecting and altering parameters – even while the welding procedure is running.



## MANDRELS

/ Three mandrels cover tube inside diameters from 30 to 120 mm (1.2 - 4.7 in) - other tube diameters on request.



### CLAMPING JAWS

/ Each mandrel supports different clamping jaws for different tube inside diameters.



Ø 70 - 120 mm  
(2.8 - 4.7 in)

Ø 40 - 80 mm  
(1.6 - 3.1 in)

Ø 30 - 54 mm  
(1.2 - 2.1 in)



### SUPPORT RINGS

/ Support rings for different tube diameters.

## TECHNICAL DATA

### FTW 24-120 PRO (WELDING HEAD)

Tube inside diameter	30 - 120 mm (1.2 - 4.7 in)
Welding process	MIG/MAG
Rotary speed	0 - 10 rpm
Welding position	PB
Weight (without mandrel / torch / hanging device)	9 kg (19.8 lb)

### DIMENSIONS

A	957 mm (37.7 in)
B	834 mm (32.8 in)
C	330 mm (13.0 in)
D	405 mm (15.9 in)

### MULTILOCK TORCH/FTW

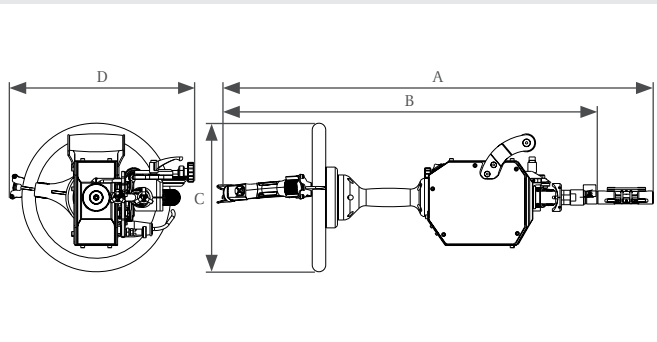
Welding current DC 60%/100%	250 A/200 A
Wire diameter	0,8 - 1,2 mm (0.031 - 0.047 in)
Elbow (customer specific angle on request)	20°/30°
Hose package length	2,5/3,5/4,5 m (98.4/137.8/177.2 in)

### FCU/FTW (CONTROL UNIT)

Operating pressure	6 bar
Mains voltage, 50 - 60 Hz	230 V
Power consumption	300 VA
Control voltage	36 V DC
Mains cable with plug	5 m (197 in)
Control line for FTW	3 m (118 in)
Control line for power source	3 m (118 in)
Weight	9,7 kg (21.4 lb)

### FRC-40/FTW (REMOTE CONTROL)

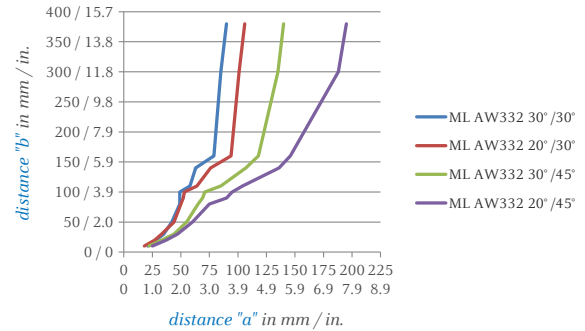
Dimension	275 x 195 x 85 mm (10.8 x 7.7 x 3.3 in)
Weight	2,45 kg (5.4 lb)



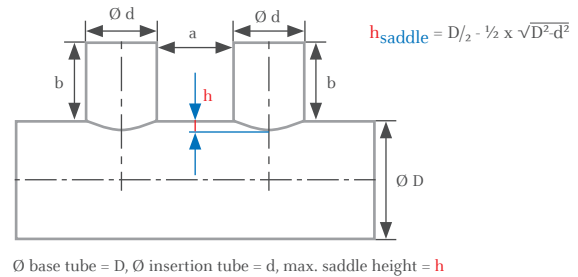
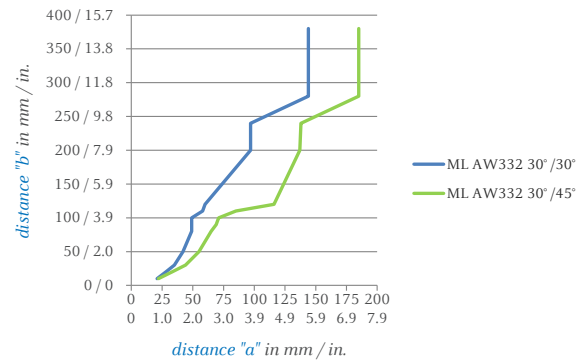
## APPLICATION

/ Tubes are welded at a 90° angle by fillet weld (PB-position) into other pipes.

### DISTANCE SIDE TO HEIGHT / TORCH ADJUSTMENT ROTARY ARM



### DISTANCE SIDE TO HEIGHT / LINEAR SLIDE X/Y



/ Perfect Welding / Solar Energy / Perfect Charging

## THREE BUSINESS UNITS, ONE GOAL: TO SET THE STANDARD THROUGH TECHNOLOGICAL ADVANCEMENT.

What began in 1945 as a one-man operation now sets technological standards in the fields of welding technology, photovoltaics and battery charging. Today, the company has around 5,440 employees worldwide and 1,264 patents for product development show the innovative spirit within the company. Sustainable development means for us to implement environmentally relevant and social aspects equally with economic factors. Our goal has remained constant throughout: to be the innovation leader.

Further information about all Fronius products and our global sales partners and representatives can be found at [www.fronius.com](http://www.fronius.com)

**Fronius India Private Limited**  
 Plot no BG-71/2/B,  
 Pimpri Industrial Area,  
 MIDC- Bhosari,  
 Pune- 411026  
 India  
 Telephone + 91 98 20 60 52 07  
[sales.india@fronius.com](mailto:sales.india@fronius.com)  
[www.fronius.in](http://www.fronius.in)

**Fronius (Thailand) Ltd.**  
 Pinthong Industrial Estate I  
 789/193 Moo 1, Sriracha,  
 Chonburi 20230  
 Building: P17/B1  
 Thailand  
 Telephone +66 (033) 047421  
[sales.Thailand@fronius.com](mailto:sales.Thailand@fronius.com)  
[www.fronius.co.th](http://www.fronius.co.th)

**Fronius Middle East FZE**  
 P.O. Box: 263241  
 Jebel Ali / JAFZA ONE BUILDING  
 Dubai / U.A.E  
 Telephone +971 (0) 56 499 8224  
[contact.middleeast@fronius.com](mailto:contact.middleeast@fronius.com)  
[www.fronius.ae/pw](http://www.fronius.ae/pw)

**Fronius Canada Ltd.**  
 2875 Argentia Road, Units 4,5 & 6

**Fronius USA LLC**  
 6797 Fronius Drive

**Fronius UK Limited**  
 Maidstone Road, Kingston

**Fronius International GmbH**  
 Froniusplatz 1